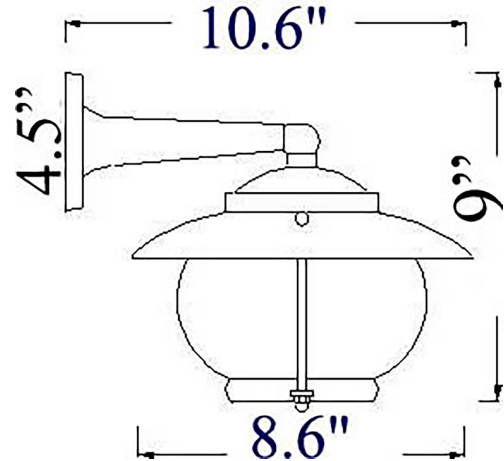


H-4: GARDEN WALL LIGHT



LISTED Suitable for Wet Locations

Interior / Exterior Residential & Commercial Use

Max Wattage:

100w LED , Incandescent Bulb ;

Medium Base (E26) Socket, Dimmable (GU-24 also available)

Glass: Clear Bubble / Seeded Standard (Frosted +\$)

Mounting: 4.5" Mounting Plate attaches to standard box. All Install Hardware Provided.

Options: Flush (C-5F), Pendant (C-5ARM), Pole (C-5TUB) and Chain Mounts (C-5) Available

Material: Solid Brass Construction

Available Finishes

Standard Finishes:

Unlacquered Brass – \$395

Polished Chrome - \$345

Typically in-stock & available for immediate shipment

Replacement Glass:

Clear - \$50

Frosted - \$80

Custom Finishes*: \$525 Each

Brass (Antique, Lacquered, Satin)

Copper (Antique, Polished, Satin)

Nickel (Antique, Polished, Satin)

Oil Rubbed Bronze ~ Pewter

Satin Chrome ~ Verdigris

Powder Coat (All Colors Available)

Custom Matching Also Available

**Custom Finish Info: 4-8 weeks unless in-stock; Rush Available; Special Orders not Refundable; Custom Lights often in-stock ; Minimum of two lights if not in-stock*

Shiplights
Residential & Commercial Lighting

68 Front St. Marblehead, MA 01945

p. 781-631-3864 f. 781-823-5555

info@shiplights.com

~ A Division of Brass 'N Bounty~