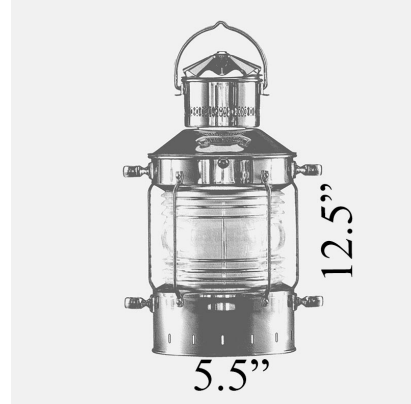


U-5: MEDIUM ANCHOR HANGING LIGHT



LISTED ; Interior / Exterior (Covered) Residential & Commercial Use

Max Wattage:

100w LED Equivalent; 60w Incandescent Bulb ;

Medium Base (E26) Socket, Dimmable (GU-24 also available)

Glass: Clear Glass Only (Fresnel type amplifies light)

Mounting: 4.8" Mounting back plate attaches to standard box. 20" of chain is provided, more available upon Request. All Install Hardware Provided.

Options: Flush (U-5F), Pole (U-5TUB) and Wall Mounts (U-2) Available

Material: Solid Brass Construction

Available Finishes

Standard Finishes:

Unlacquered Brass – \$465

Coated Brass – \$465

U-6F Flush Mount - \$485

U-5TUB Pole Mount - \$495

*Typically in-stock & available
for immediate shipment*

Custom Finishes*: \$595 Each

Brass (Antique, Lacquered, Satin)

Copper (Antique, Polished, Satin)

Nickel (Antique, Polished, Satin)

Oil Rubbed Bronze ~ Pewter

Polished & Satin Chrome ~ Verdigris

Powder Coat (All Colors Available)

Custom Matching Also Available

**Custom Finish Info: 4-8 weeks unless in-stock; Rush Available; Special Orders not Refundable; Custom Lights often in-stock ; Minimum of two lights if not in-stock*

Shiplights
Residential & Commercial Lighting

68 Front St. Marblehead, MA 01945

p. 781-631-3864 f. 781-823-5555

info@shiplights.com

~ A Division of Brass 'N Bounty~

SOLID BRASS ~ WEATHER-PROOF ~ UL LISTED ~ DURABLE